

MC 1,5/13-G-3,81

Order No.: 1803387

The figure shows a 10-position version of the product

<http://eshop.phoenixcontact.de/phoenix/treeViewClick.do?UID=1803387>Header, nominal current: 8 A, rated voltage: 160 V, pitch: 3.81 mm, no.
of positions: 13, mounting: Soldering**Commercial data**

EAN	4017918045692
Pack	50 Pcs.
Customs tariff	85366990
Weight/Piece	0.00364 KG
Catalog page information	Page 152 (CC-2007)

Product notesWEEE/RoHS-compliant since:
01/01/2003

<http://www.download.phoenixcontact.com>
Please note that the data given here has been taken from the online catalog. For comprehensive information and data, please refer to the user documentation. The General Terms and Conditions of Use apply to Internet downloads.

Technical data**Dimensions / positions**

Height	7.7 mm
Pitch	3.81 mm
Dimension a	45.72 mm
Number of positions	13
Pin dimensions	0,8 x 0,8 mm

Hole diameter	1.2 mm
Technical data	
Insulating material group	IIIa
Rated surge voltage (III/3)	2.5 kV
Rated surge voltage (III/2)	2.5 kV
Rated surge voltage (II/2)	2.5 kV
Rated voltage (III/2)	160 V
Rated voltage (II/2)	250 V
Connection in acc. with standard	EN-VDE
Nominal current I_N	8 A
Nominal voltage U_N	160 V
Maximum load current	8 A
Insulating material	PBT
Inflammability class acc. to UL 94	V0

Certificates / Approvals



CSA

Nominal voltage U_N	300 V
Nominal current I_N	8 A

CUL

Nominal voltage U_N	300 V
Nominal current I_N	8 A

UL

Nominal voltage U_N	300 V
Nominal current I_N	8 A
Certification	CB, CSA, CUL, GOST, UL, VDE-PZI

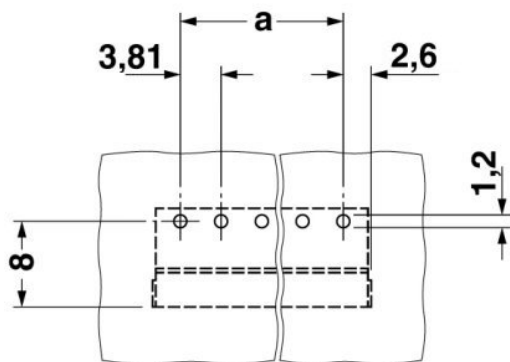
Accessories		
Item	Designation	Description
General		
1841174	MC 1,5/10-LWL 1,5-3,81	MINI-COMBICON optical fibers, pitch 3.81 mm, 10-position, divisible, are snapped into the back of the MC header, color: transparent, dimension a: 1.5 mm
1841190	MC 1,5/10-LWL 2,3-3,81	MINI-COMBICON optical fibers, pitch 3.81 mm, 10-position, divisible, are snapped into the back of the MC header, color: transparent, dimension a: 2.3 mm
1841213	MC 1,5/10-LWL 4-3,81	MINI-COMBICON optical fibers, pitch 3.81 mm, 10-position, divisible, are snapped into the back of the MC header, color: transparent, dimension a: 4.0 mm
Marking		
1051993	B-STIFT	Marker pen, for manual labeling of unprinted Zack strips, smear-proof and waterproof, line thickness 0.5 mm
0804109	SK 3,81/2,8:FORTL.ZAHLEN	Marker card, printed horizontally, self-adhesive, 10-section marker strip, 14 identical decades marked 1-10, 11-20 etc. up to 91-(99)100, sufficient for 140 terminal blocks
0805056	SK 3,81/2,8:SO	Marker card, special printing, self-adhesive, labeled acc. to customer requirements, 14 identical marker strips per card, max. 25-position labeling per strip, color: White
Plug/Adapter		
1734634	CP-MSTB	Coding profile, is inserted into the slot on the plug or inverted header, red insulating material

Additional products		
Item	Designation	Description
General		
1851151	FK-MCP 1,5/13-ST-3,81	Plug component, nominal current: 8 A, rated voltage: 160 V, pitch: 3.81 mm, no. of positions: 13, type of connection: Spring-cage connection
1850770	FRONT-MC 1,5/13-ST-3,81	Plug component, nominal current: 8 A, rated voltage: 160 V, pitch: 3.81 mm, no. of positions: 13, type of connection: Screw connection
1862687	IMC 1,5/13-G-3,81	Header, nominal current: 8 A, rated voltage: 160 V, pitch: 3.81 mm, no. of positions: 13, mounting: Soldering
1875535	IMCV 1,5/13-G-3,81	Header, nominal current: 8 A, rated voltage: 160 V, pitch: 3.81 mm, no. of positions: 13, mounting: Soldering

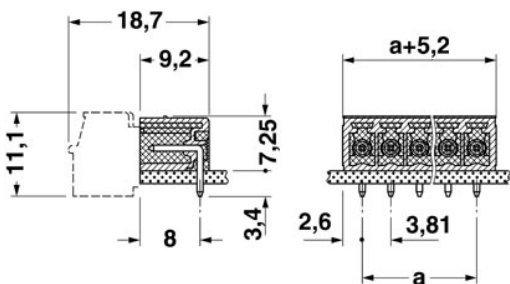
1803688	MC 1,5/13-ST-3,81	Plug component, nominal current: 8 A, rated voltage: 160 V, pitch: 3.81 mm, no. of positions: 13, type of connection: Screw connection
1852286	MCC 1/13-STZ-3,81	Plug component, nominal current: 8 A, rated voltage: 160 V, pitch: 3.81 mm, no. of positions: 13, type of connection: Crimp connection
1827237	MCVR 1,5/13-ST-3,81	Plug component, nominal current: 8 A, rated voltage: 160 V, pitch: 3.81 mm, no. of positions: 13, type of connection: Screw connection
1827088	MCVW 1,5/13-ST-3,81	Plug component, nominal current: 8 A, rated voltage: 160 V, pitch: 3.81 mm, no. of positions: 13, type of connection: Screw connection
1897500	QC 0,5/13-ST-3,81	Plug, nominal current: 6 A, rated voltage: 320 V, pitch: 3.81 mm, number of positions: 13, connection method: Insulation displacement connection QUICKON

Drawings

Drilling diagram



Dimensioned drawing



Address

PHOENIX CONTACT GmbH & Co. KG
Flachsmarktstr. 8
32825 Blomberg, Germany
Phone +49 5235 3 00
Fax +49 5235 3 41200
<http://www.phoenixcontact.de>



© 2008 Phoenix Contact
Technical modifications reserved;